



CUSTOMER :
MODEL : MOG-3224-5-KE051
DESCRIPTION : LCD MODULE

◆ CUSTOMER APPROVAL

	CHECKED	CHECKED	APPROVAL
APPROVAL			
REMARK			

◆ SUPPLIER APPROVAL

PREPARED	CHECKED	APPROVAL
K.B.AHU		

MYTECH CORPORATION

180 Old Tappan Rd., Bldg. 6, Old Tappan, NJ 07675

Tel: (201) 784-8867 Fax: (201) 784-8932

Email: mysales@mytechcorp.com

- NOTE:** 1. This specification may, wholly or partially, be subjected to change without notice.
2. Information contained herein is proprietary information of MYTECH CORPORATION. The dissemination use or duplication for any purpose other than for which the information is provided is prohibited by MYTECH CORPORATION except by express permission.

1. FEATURES

- 1) Number of dot ----- 320 x 240 dots
- 2) Display mode ----- FSTN
- 3) Display type ----- Positive, Transflective
- 4) Viewing direction ----- 6 o'clock
- 5) Operating temperature ----- Outdoor
- 6) Drving voltage ----- Double power
- 7) Driving method ----- 1/240 duty
- 8) Type ----- COB (Chip On Board)
- 9) Number of data line ----- 4-bit parallel
- 10) Appllicated IC ----- KS0086 (COM/SEG)
- 11) Backlighting ----- CCFL
- 12) Recommended LCD Controller ----- SED1330(EPSON) , MSM6255(OKI) , HD64646(HITACHI)

2. MECHANICAL DATA

ITEM		WIDTH	HEIGHT	THICKNESS	UNIT
Module size		151.6	96.0	13.0	mm
Viewing area		104.0	79.3	-	mm
Dot	Size	0.27	0.27	-	mm
	Pitch	0.30	0.30	-	mm
Diameter of mounting hole		4-3.5			mm

3. ABSOLUTE MAXIMUM RATINGS

ITEM	SYMBOL	CONDITION	STANDARD VALUE		UNIT
			MIN.	MAX.	
Power supply for logic	$V_{DD}-V_{SS}$	$T_a=25^{\circ}\text{C}$	0	7.0	V
Power supply for LCD	$V_{DD}-V_{EE}$	$T_a=25^{\circ}\text{C}$	0	30.0	V
Input voltage	V_{IN}	$T_a=25^{\circ}\text{C}$	V_{SS}	V_{DD}	V
Operating temperature	T_{OP}	-	-20	70	$^{\circ}\text{C}$
Storage temperature	T_{STG}	-	-30	85	$^{\circ}\text{C}$

4. ELECTRICAL CHARACTERISTICS

4.1 SPEC FOR MODULE

ITEM	SYMBOL	CONDITION	STANDARD VALUE			UNIT
			MIN.	TYP.	MAX.	
Power supply for logic	V_{DD}	$T_a = 25^{\circ}\text{C}$	3.0	5.0	5.5	V
Input high voltage	V_{IH}	-	$0.8V_{DD}$	-	V_{DD}	V
Input low voltage	V_{IL}	-	V_{SS}	-	$0.2V_{DD}$	V
Output high voltage	V_{OH}	$I_{OH} = -0.4 \text{ mA}$	$V_{DD}-0.4$	-	V_{DD}	V
Output low voltage	V_{OL}	$I_{OL} = 0.4 \text{ mA}$	V_{SS}	-	0.4	V
Power supply current	I_{DD}	$V_{DD}=5.0\text{V}, V_{LCD}=23.0\text{V}$	-	5.0	10.0	mA
Power supply for LCD (Note 1) = V_{LCD}	$V_{DD}-V_O$	$T_a = 0^{\circ}\text{C}$	-	24.0	-	V
		$T_a = 25^{\circ}\text{C}$	-	23.0	-	V
		$T_a = 50^{\circ}\text{C}$	-	21.5	-	V

Note 1 : Power supply for LCD is available with R_L in accordance with contrast.

4.2 SPEC FOR CCFL BACKLIGHT (Cold Cathode Fluorescent Lamp)

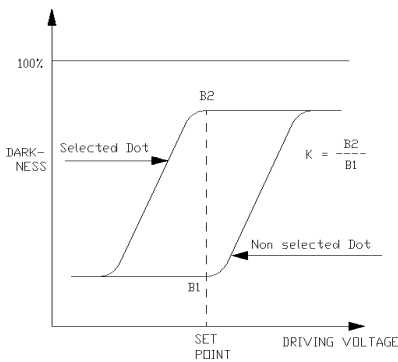
ITEM	UNIT	STANDARD VALUE			REMARK
		MIN.	TYP.	MAX.	
Brightness	Nit	70	90	-	.Inverter : T.D.K(CXA-L10L) .Mersurement Equipment : BM-7(TOPCON)
Discharging tube voltage	Vrms	-	220	-	
Discharging tube current	mA	-	5.3	-	
Power consumption	W	-	1.2	1.5	
Life time	Hours	-	-	10000	
Frequency	KHz	30	-	-	

5. ELECTRO-OPTICAL CHARACTERISTICS (STN)

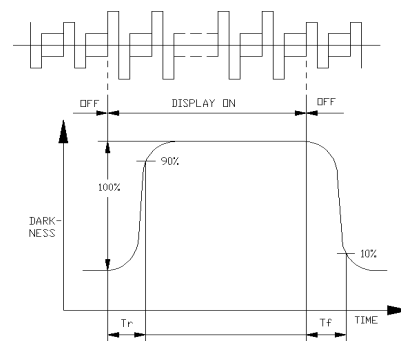
(Ta = 25 °C)

ITEM	SYMBOL	MIN.	TYP.	MAX.	UNIT	NOTE
Contrast ratio	K	2.0	3.0	-	-	1
Response time (rise)	T_r	-	200	-	ms	2
Response time (fall)	T_f	-	200	-	ms	2
Viewing angle	ϕ	-10 ~ +40			deg.	3,4
	θ	-40 ~ +40				

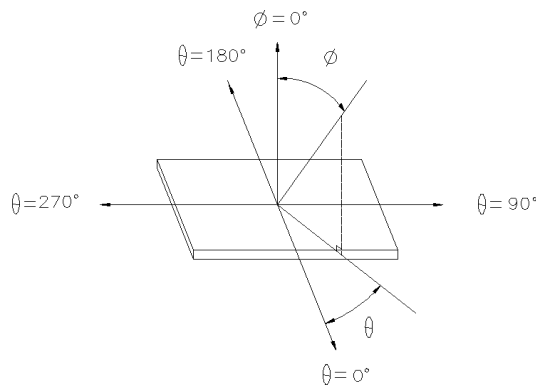
NOTE1. Definition of contrast K



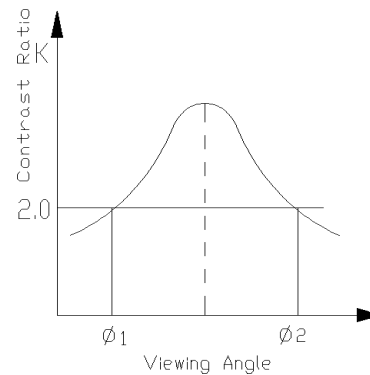
NOTE2. Definition of optical response



NOTE3. Definition of angle θ and ϕ



NOTE4. Definition of viewing angle ϕ_1 and ϕ_2



6. QUALITY SPECIFICATION

6.1 Acceptable Quality Level

INSPECTION ITEM	SAMPLING PROCEDURES	A.Q.L
MAJOR	MIL-STD-105E Inspection Level II Normal Inspection Single sample inspection	1.0
MINOR	MIL-STD-105E Inspection Level II Normal Inspection Single sample inspection	2.5

Major defect :

A major defect is a defect that could result in failure or materially reduce that the usability of the unit of product for its intended purpose.

Minor defect :

A minor defect is one that does not materially reduce the usability of the product for its intended purpose or is a departure from established standards giving no significant bearing on the effective use or operation of the unit.

6.2 Inspection Conditions

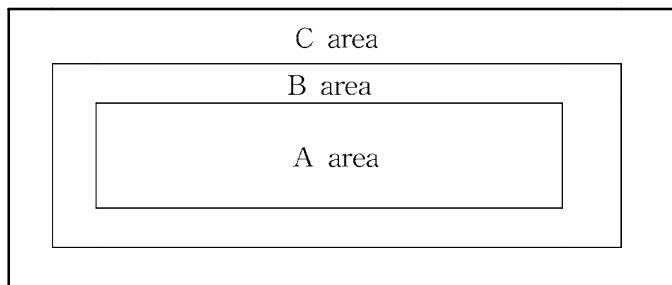
6.2.1 The environmental conditions for inspection shall be as follows

- Room Temperature : $25 \pm 3^{\circ}\text{C}$
- Humidity Temperature : $65 \pm 20\% \text{RH}$

6.2.2 The external visual inspection

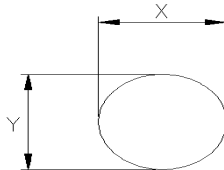
- The inspection shall be performed by using 40Watts fluorescent lamp for illumination and the distance between LCD and eyes of the inspector shall be 30cm or more.

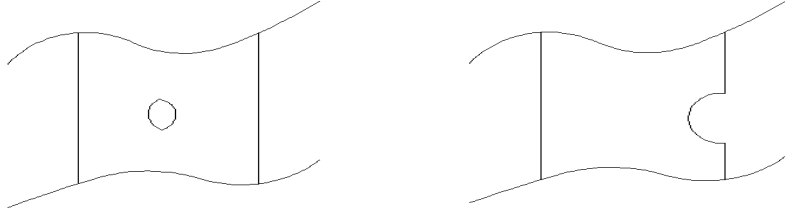
6.3 Definition of the Area



A area: Active Area
 B area: Viewing Area
 C area: Out of Viewing Area

6.4 Inspection Standards

Class of defects	Inspection Item	Criteria of defects			Remarks
MAJOR	Display on inspection	1) No Display 2) Abnormal Operation 3) Short Circuit 4) Pattern Open 5) Off Viewing angle			
	Missing	Component missing			
MINOR	Spot/Dent	Size	Defect size	Acceptable Number	
		A Size	$\phi \leq 0.2$ mm	Ignore	
			$0.2 < \phi \leq 0.3$ mm	1	
			$\phi > 0.3$ mm	0	
		B Size	$\phi \leq 0.2$ mm	Ignore	
			$0.2 < \phi \leq 0.3$ mm	2	
	$\phi > 0.3$ mm		0		
	Cell Size (Viewing Area Criteria)				
	※ A size $< 2500\text{mm}^2$ Spot size = $(X+Y)/2$ B size $\geq 2500\text{mm}^2$				
					
Scratch	LENGTH L(mm)	WIDTH W(mm)	Acceptable Number		
	$L \leq 10$	$W \leq 0.01$	IGNORE		
	$5.0 \leq L \leq 10$	$0.01 < W \leq 0.02$	4		
	$5.0 \leq L \leq 10$	$0.02 < W \leq 0.03$	3		
	$1.0 \leq L \leq 5.0$	$0.03 < W \leq 0.04$	2		
	$1.0 \leq L \leq 5.0$	$0.04 < W \leq 0.05$	1		
	$L \leq 1.0$	$0.05 < W$	Refer to Spot/Dent		
	※ Scratches should be separated more than 30mm each other				
Bubble	1) Round bubble should be treated as spot(positive) 2) Line bubble should be treated as scratch(positive)				

Class of defects	Inspection Item	Criteria of defects	Remarks
MINOR	Pattern Misalignment	Voids in segment 	
	Stain	Stains which cannot be removed even when wiped slightly with a soft cloth.	
	Rainbow	More than 2 colors are noticeable in the viewing direction.	
MINOR	PCB damage	Damage on gold or copper foil	
	Parts alignment	1) IC lead width is more than 50% beyond land pattern 2) Chip component is off center and more than 50% of the leads is off the pad out line.	
	Conductive foreignmatter (solderball, soldersplash)	Conductive foreign matter is not allowed	
	Bezel claw	Bezel claw missing or not bent	

7. RELIABILITY

LIFE TIME : 50,000 HRS (25°C IN THE ROOM WITHOUT RAY OF SUN)

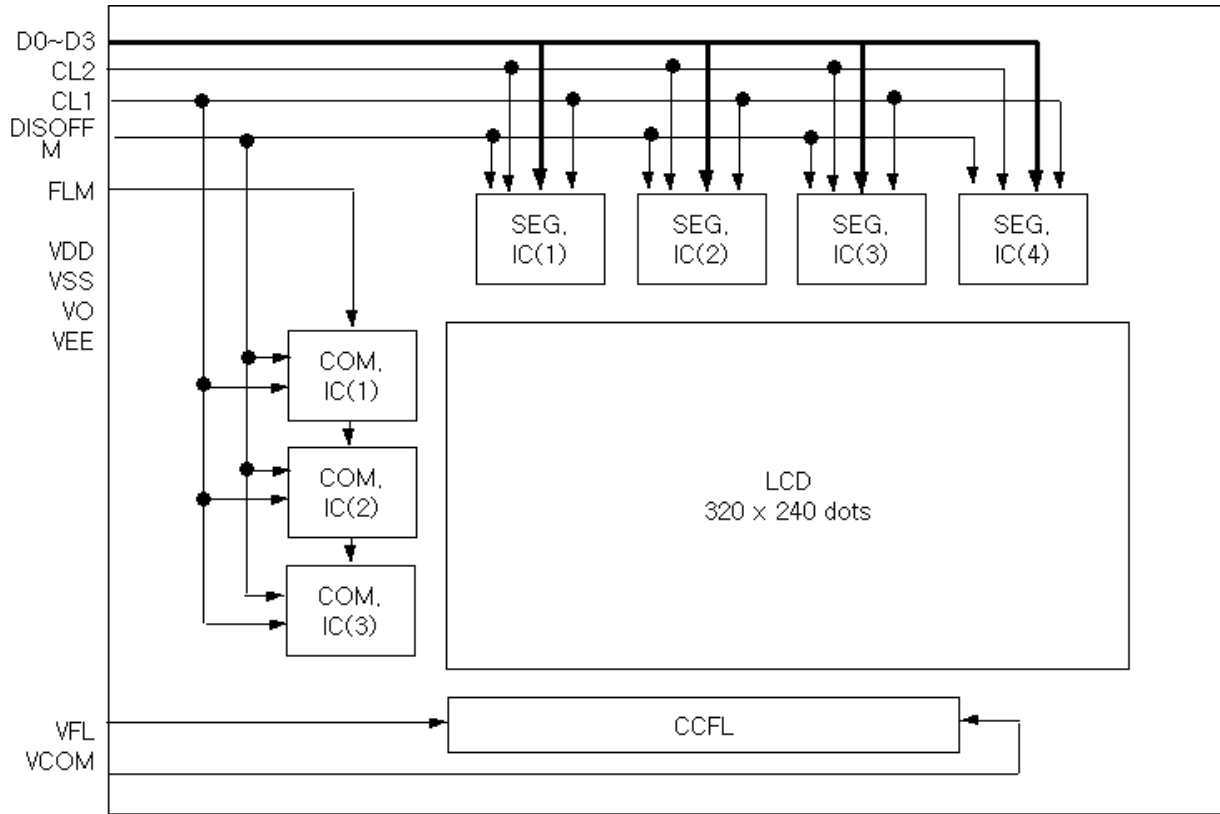
ITEM	TEST	CRITERION
High temp.	85°C / 240 Hrs	* Total current consumption should be below double of initial value
Low temp.	-30°C / 240 Hrs	
High humidity	40°C X 90%RH / 240 Hrs	
Thermal shock	-20°C → 25°C → 70°C → 25°C / 5 Cycles (20min) (5min) (30min) (5min)	* Contrast ratio should be within initial value ±50%
Vibration	1.Operating time : Thirty minutes exposure for each direction(x,y,z) 2.Sweep frequency (1min) : 10Hz →55Hz →10Hz 3.Amplitude : 0.75mm	* No defect in cosmetic and operational function is allowable

* Remarks : Samples subjected to the tests shall be “ Not operating ” condition .

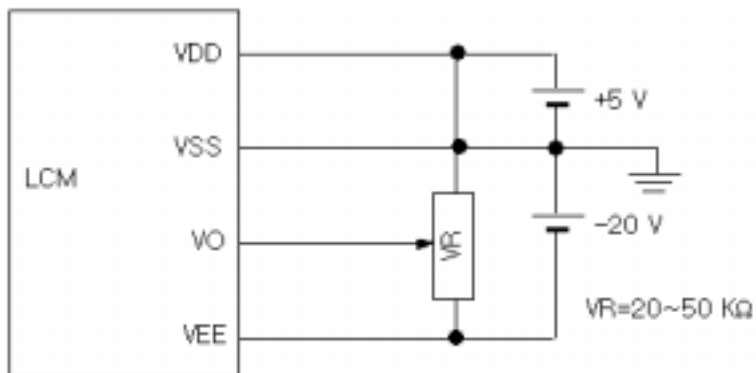
8. PIN CONNECTIONS

PIN NO.	SYMBOL	LEVEL	FUNCTION
1	FLM	H/L	Display cycle clock
2	M	-	Frame modulation signal
3	CL1	H->L	Data latch signal
4	CL2	H->L	Data shift signal
5	DISPOFF	H->L	Display off control signal
6	DO	H/L	Display data line
7	D1	H/L	Display data line
8	D2	H/L	Display data line
9	D3	H/L	Display data line
10	VDD	-	Power supply (5V)
11	VSS	-	Power supply (0V)
12	VEE	-	Power supply for LCD operating (-V)
13	VO	-	Power supply for LCD operating
14	FG	-	Frame ground

9. BLOCK DIAGRAM

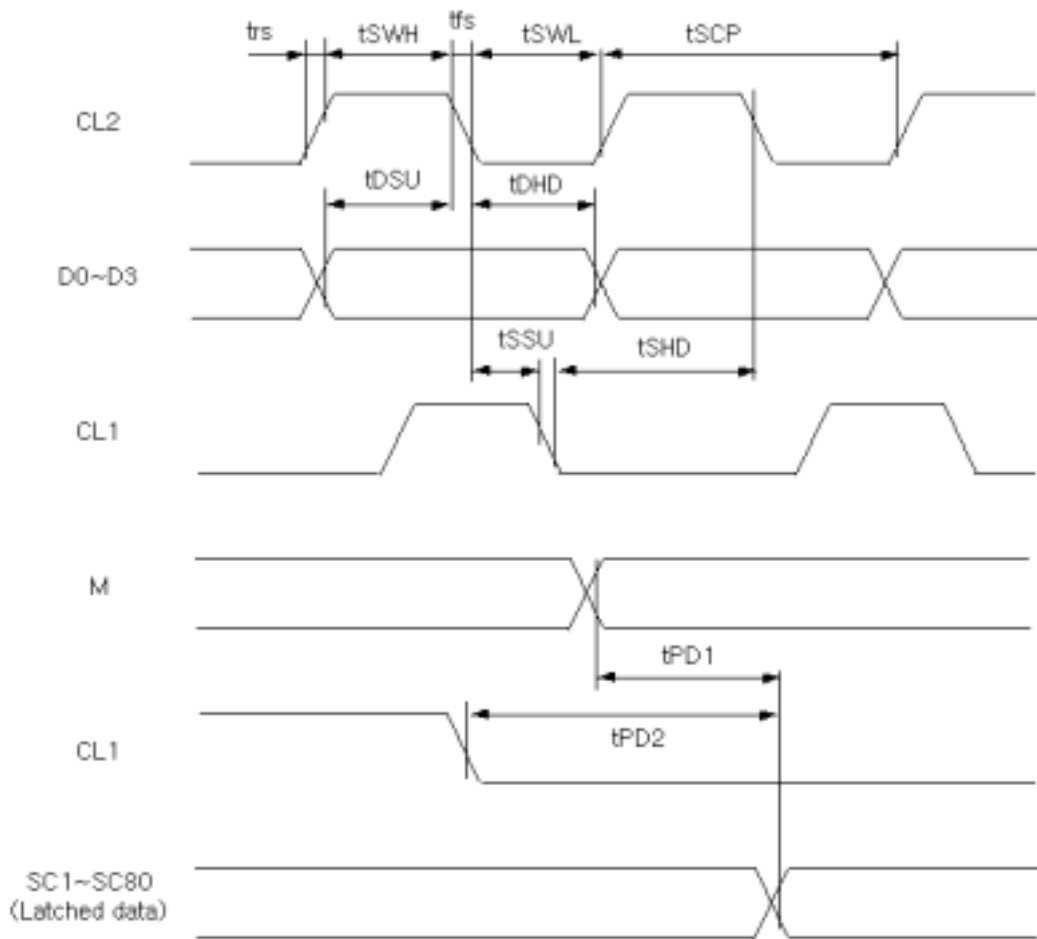


10. POWER SUPPLY



11. TIMING CHARACTERISTICS

11.1 TIMING CHART



11.2 TIMING TYPICAL

ITEM	SYMBOL	MIN.	TYP.	MAX.	UNIT
CL2 Frequency	f_{scp}	-	6	8	M Hz
CL2 Pulse Width	t_{SWH}, t_{SWL}	45	-	-	ns
Rise/Fall Time	t_{rs}, t_{fs}	-	-	30	ns
Data setup time	t_{DSU}	30	-	-	ns
Data Hold time	t_{DHD}	30	-	-	ns
CL2 Setup time	t_{SSU}	80	-	-	ns
CL2 Hold time	t_{SHD}	80	-	-	ns
CL1 Pulse Width	t_{LWH}	45	-	-	ns
M_OUT delay time	t_{PD1}	-	-	1.2	us
CL1-OUT delay time	t_{PD2}	-	-	1.2	us

12. PRECAUTION FOR USING

12.1 HANDLING

- 1) Refrain from storing mechanical shock and from applying any force to LCD MODULE.
It may cause mis_operation or damage of LCD.
- 2) Do not touch, press or rub the display panel with a hard, stiff tool or object as the polarizers in the panel are easily scratched.
- 3) If LCD is broken and liquid crystal material flow out, ingestion, inhalation, or contact with skin should be avoided. If liquid crystal material contact with skin, wash immediately with alcohol and rinse thoroughly with water.
- 4) Never use organic solvents to clear the display panel as these solvent may adversely affect the polarizer. To clean the display panel dampen a bit of absorbent cotton with petroleum benzene and gently wipe the panel, or contaminations by using a scotch tape.
- 5) Refrain from discharge of high electro-static voltage, it will damage C-MOS LSI in the MODULE.
- 6) Do not leave the MODULE in high temperature, especially in high humidity for a long time. It is recommended to store the MODULE where the temperature is in the range of 0°C to 35°C and the humidity is lower than 70%.
- 7) Store the MODULE without exposure to direct sunlight or fluorescent lamp.
- 8) Ultra violet cut filter is necessary for outdoor operation.
- 9) Avoid condensation of water, it may cause mis-operation or disconnection of electrode.

12.2 OPERATION

- 1) Never connect or disconnect the LCD MODULE from the main system while power is being supplied.
- 2) When supplying the M signal from the external unit to a GRAPHIC MODULE, set the duty to $50\% \pm 1\%$.
If the duty deviates too greatly from the value, a DC voltage will be applied to the liquid crystal, which could induce an electrochemical reaction and reduce the life of the MODULE.
- 3) Do not exceed the maximum rating values under the worst conditions taking account of the supply voltage variation, input voltage variation, and environmental temperature, etc. Otherwise LCD module may be damaged.

13. EXTERNAL DIMENSION

